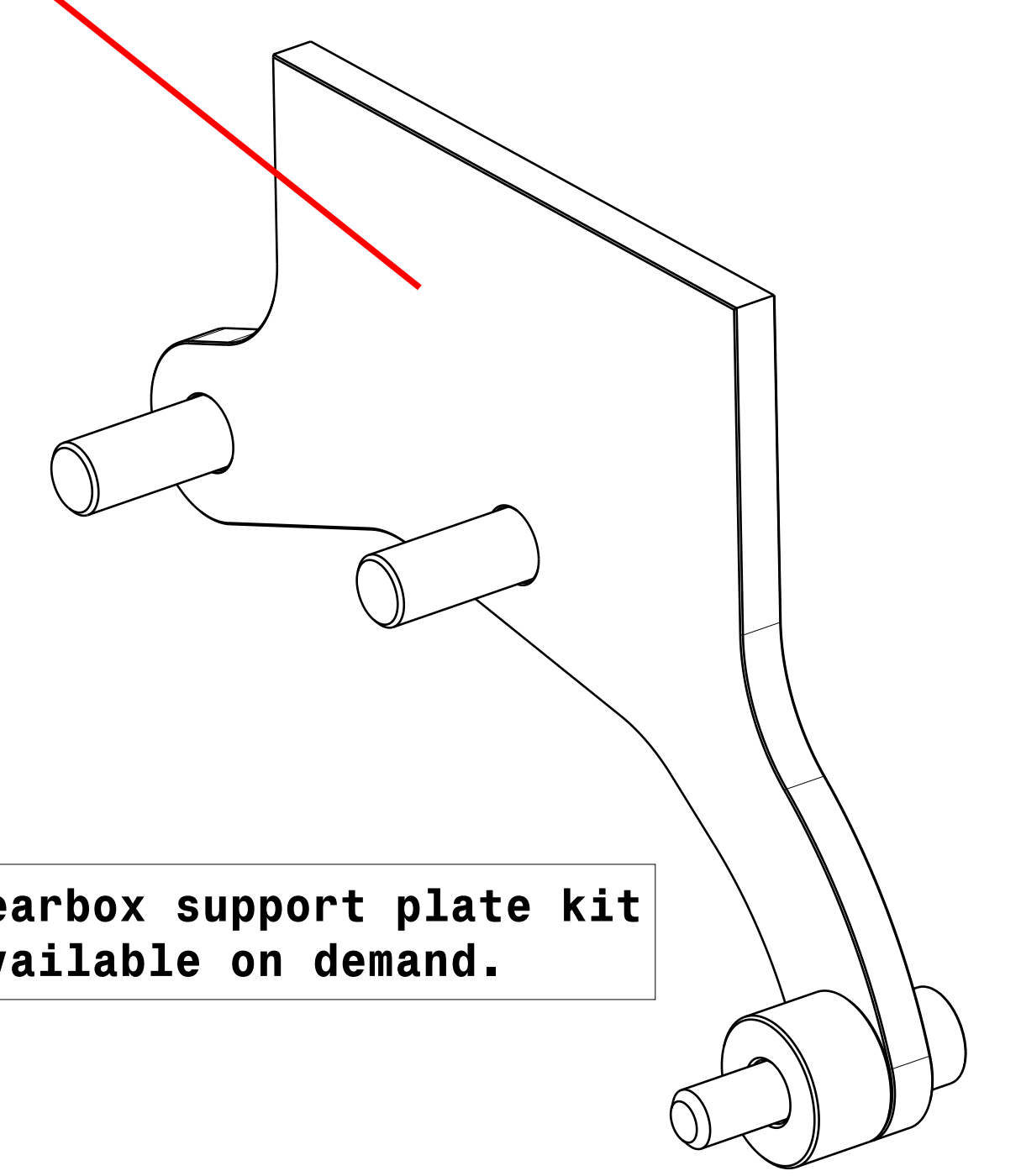
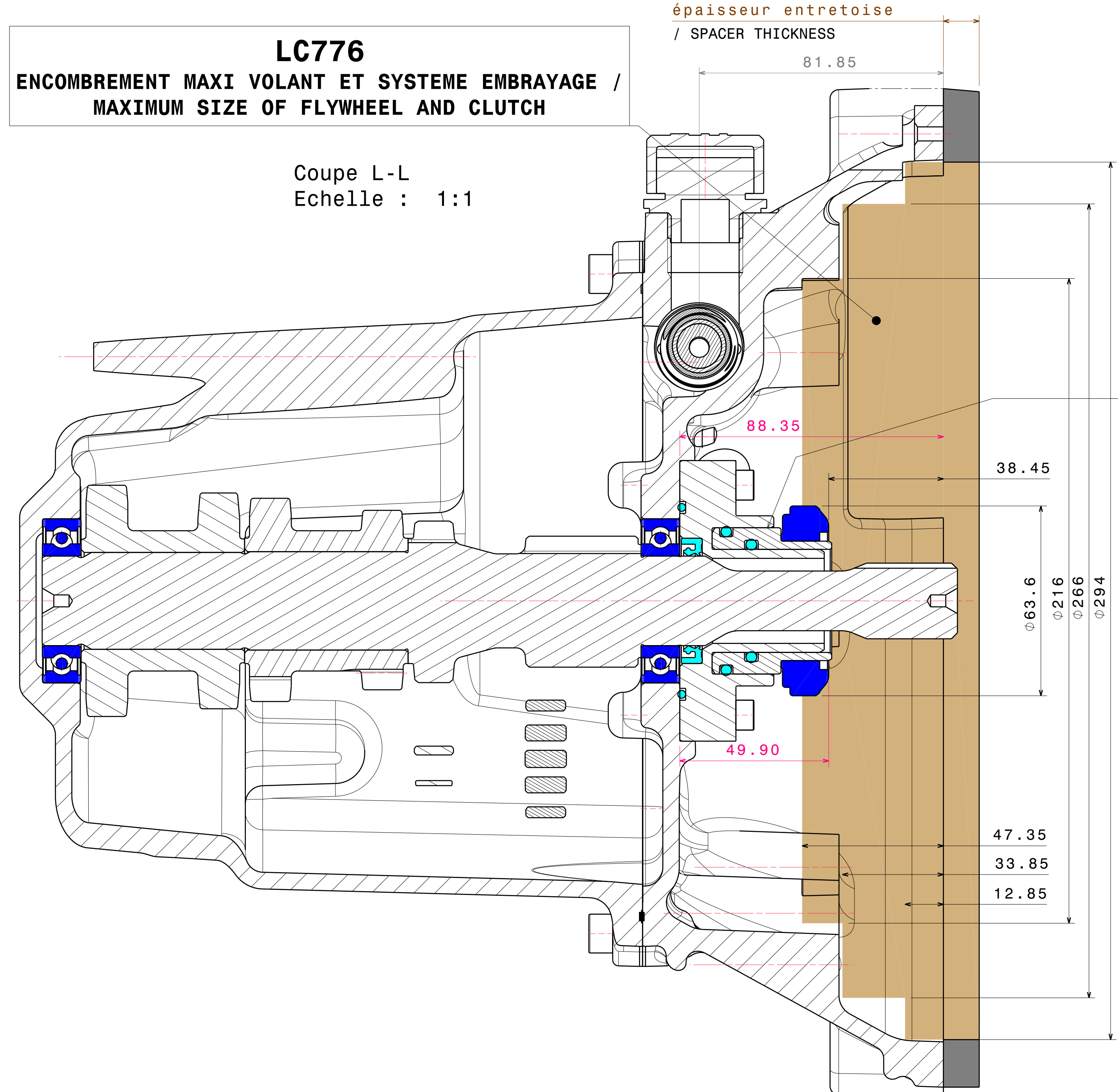
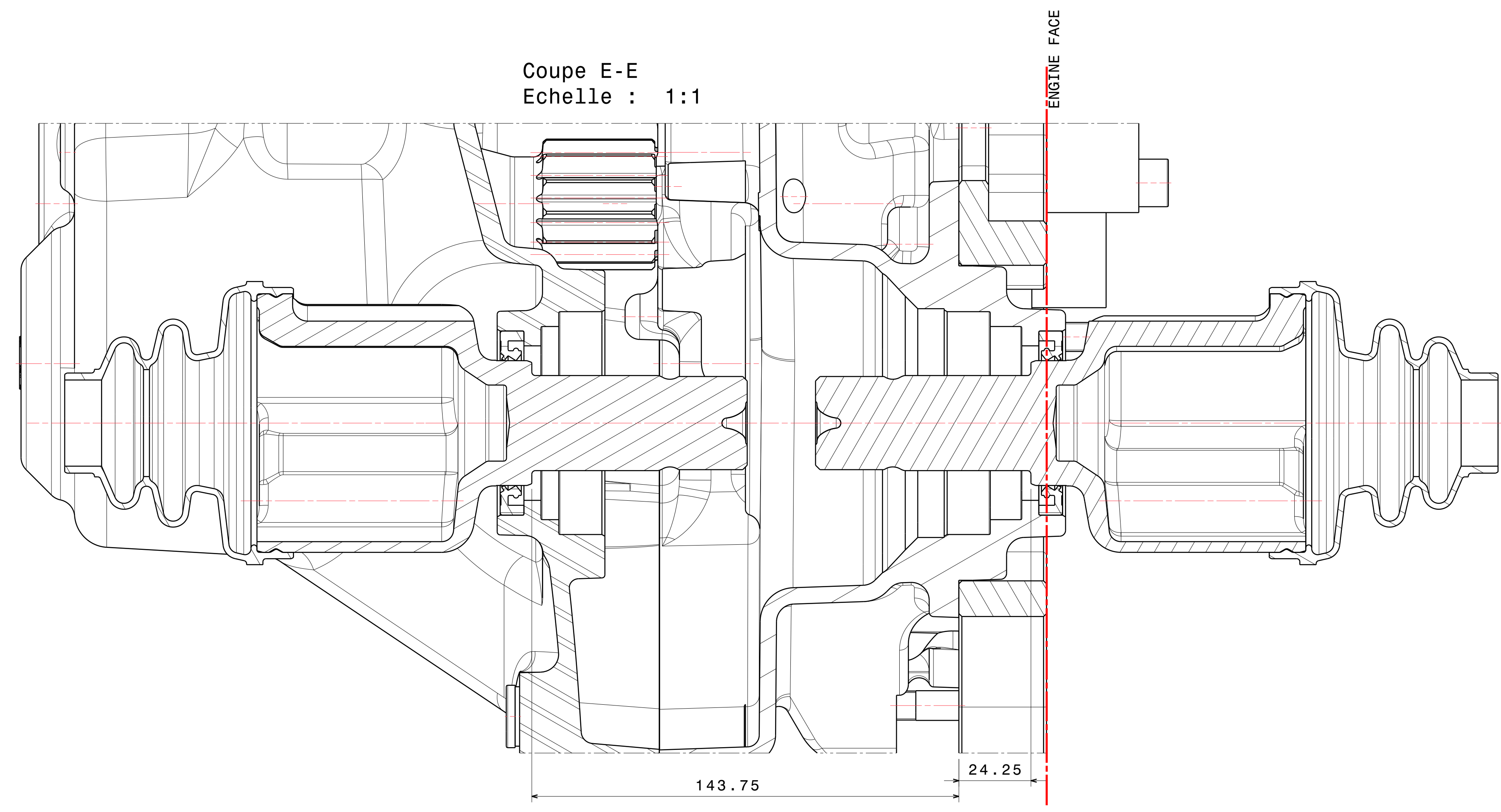
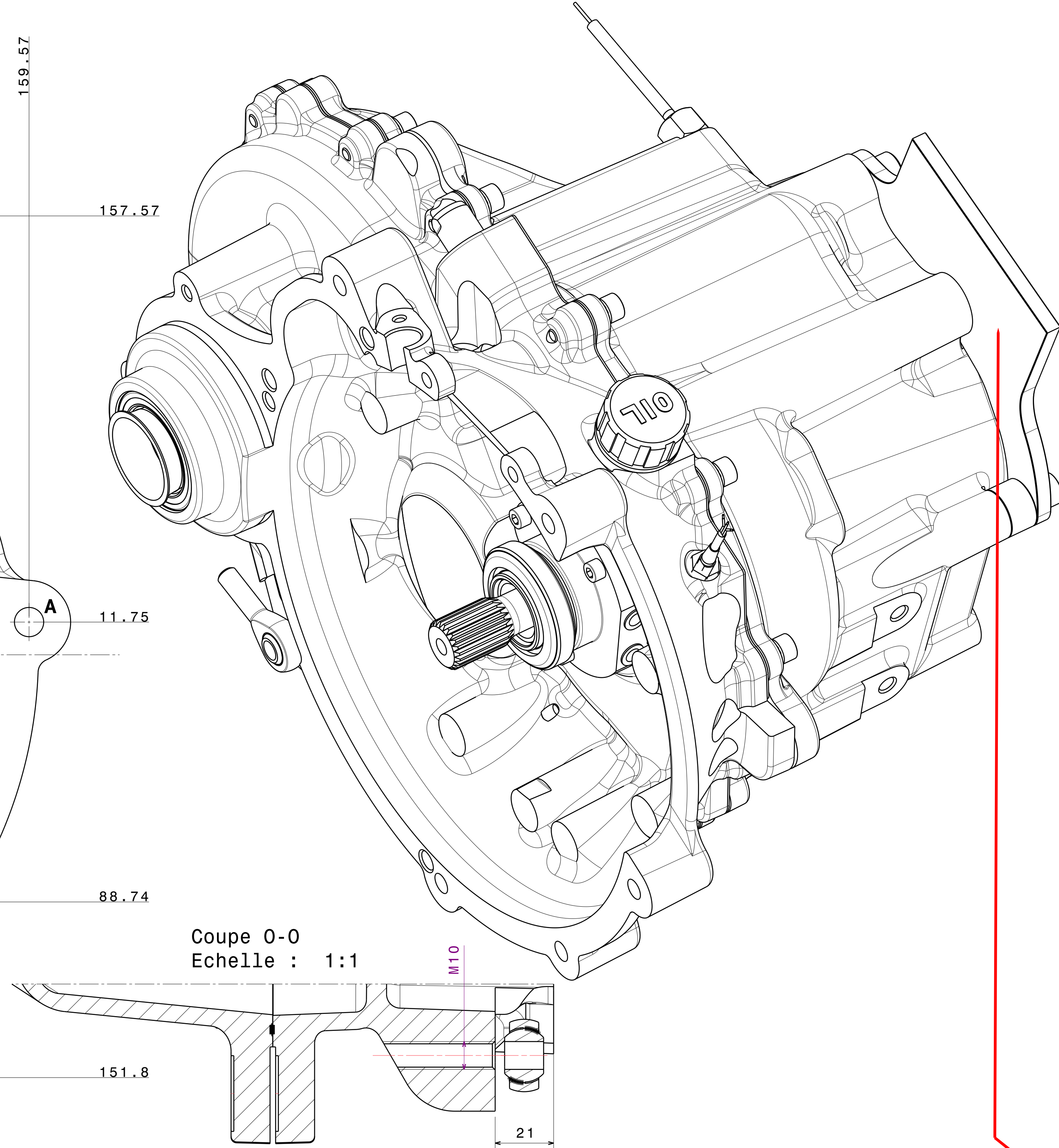
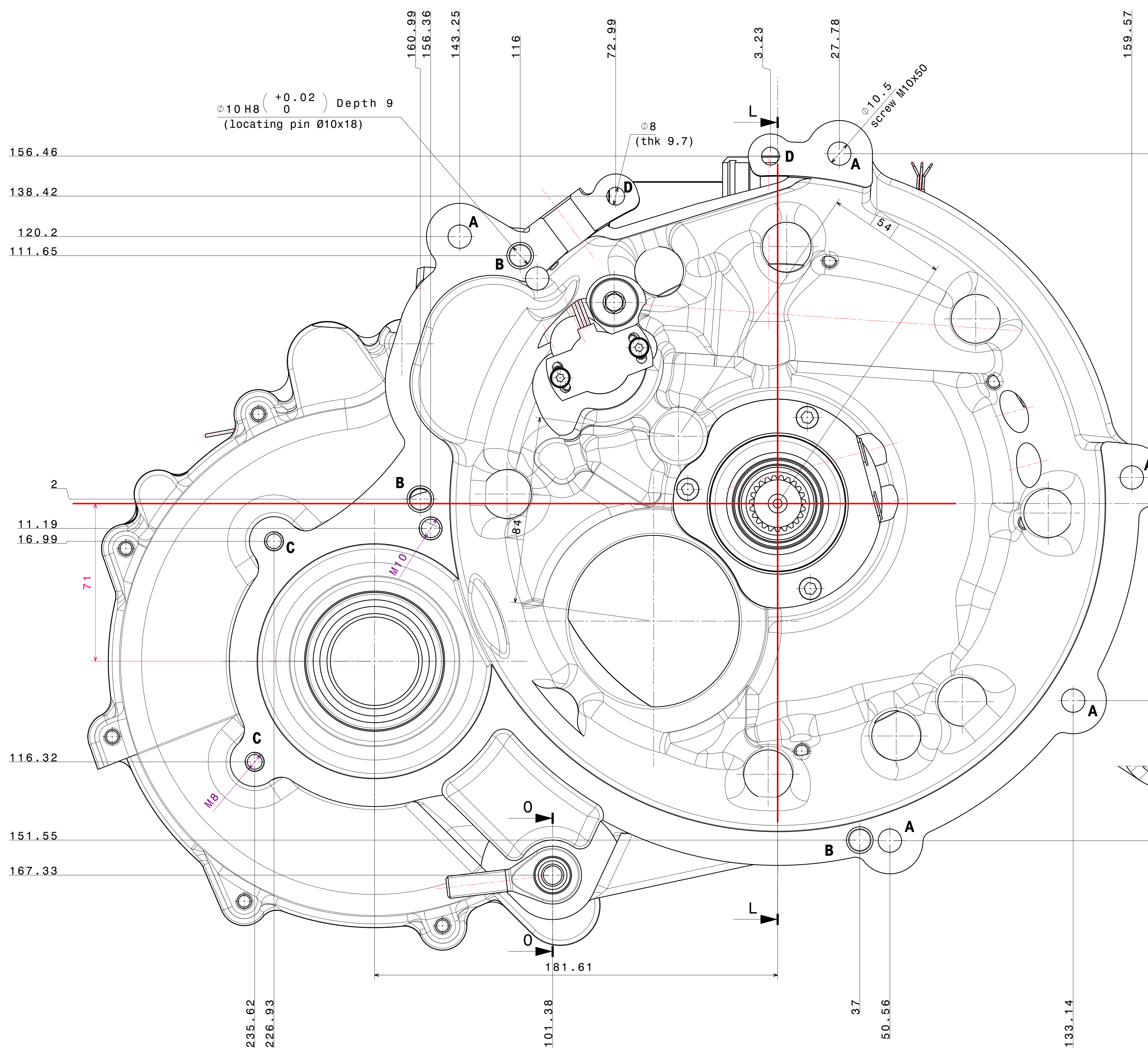
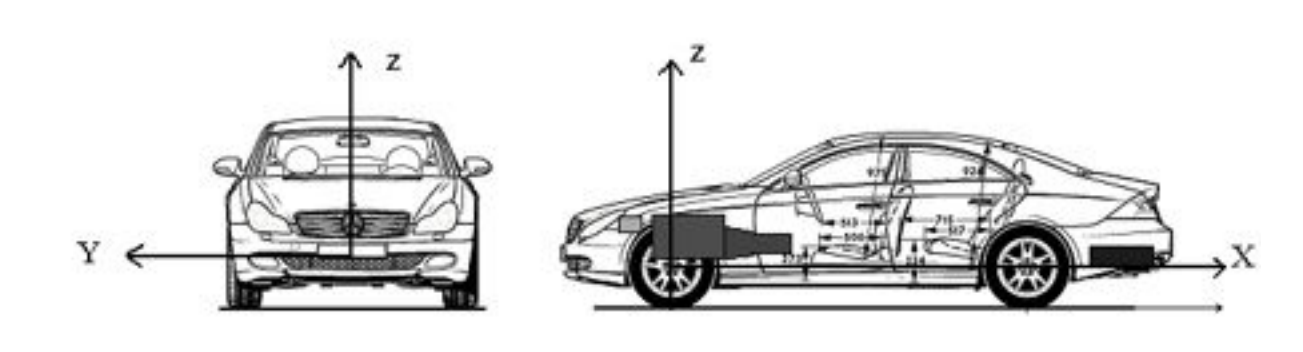


LC776 : INFORMATIONS FOR CLUTCH SPACER
SELF DESIGN.



Gearbox support plate kit available on demand.



LC776 : INFORMATIONS FOR CLUTCH SPACER SELF DESIGN.